

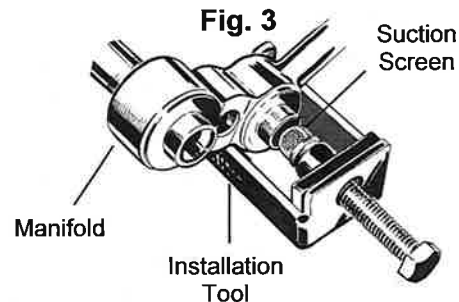
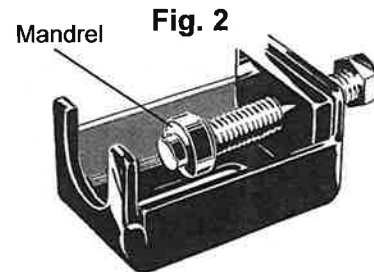
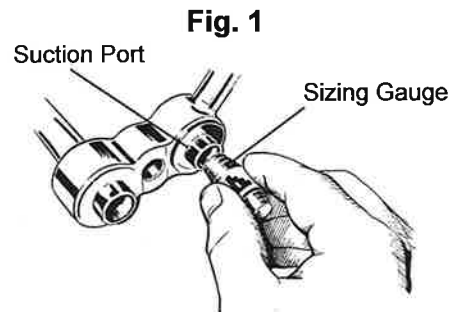
A/C Compressor Guard Suction Screen Installation Instructions

Safety and Pre-Installation Preparation

8. Utilize proper service, safety and recovery equipment. Use of safety goggles and gloves recommended.
9. Evacuate air conditioning system completely using the applicable recovery equipment. System must be completely discharged prior to disassembly.
10. Remove the bolt that attaches the manifold of the muffler assembly hose or hose fitting to the air conditioning compressor.
11. Inspect suction line of manifold or hose and suction port of compressor for a suction screen. If a suction screen is already in place in manifold or hose, follow removal instructions below. If a screen is found in suction port of compressor, remove screen before proceeding.
12. Use the Suction Port Sizing Tool to determine the appropriate size Filter Screen (see Fig.1).

Suction Screen Installation

13. Thread the Installation Mandrel onto the bolt of the Installation Tool (see Fig. 2).
14. a. Using the Installation Tool, place the manifold into the fixture of the tool (see Fig. 3).
 - b. Lubricate the applicable Suction Screen with refrigerant lubricant.
 - c. Make sure you are on the suction side of the air conditioning manifold or hose.
 - d. Place the Suction Screen straight into the suction port before proceeding.
 - e. Using a 9/16" wrench, turn the bolt of the Installation Tool clockwise, pressing the Suction Screen into the suction port. NOTE: The Suction Screen must be flush with or slightly below the suction port.



Loose Fitting Screen

When properly installed, an interference fit holds the Compressor Guard Suction Screen in place in the hose assembly. Moderate pressure should be required to torque the screen into place in the hose assembly. If you do not feel some resistance as you press the screen in or the screen is loose or falls out with a slight tap on the tubing, that size screen is too small and the next larger size screen should be used.

8. Reinstall the manifold or hose on the rear of the air conditioning compressor, making sure to torque to manufacturer's specifications.
9. Included in the kit is a bright yellow Notification Label (see Fig. 4). It is very important that you apply this label to the manifold, the suction line, or otherwise appropriate highly visible location. Be sure to clean the target surface prior to applying the label.

Removal Instructions

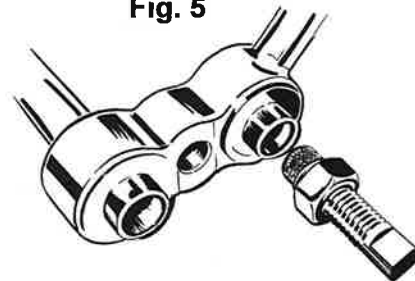
4. Using the appropriate Removal Tool (see Fig. 5), place the Removal Tool into the suction port of the Suction Screen.
5. Turn the Removal Tool one (1) turn clockwise, or until tight.
6. Using the appropriate wrench, turn nut clockwise to remove the Suction Screen.

Fig. 4



Notification Label

Fig. 5



Extractor
Tool