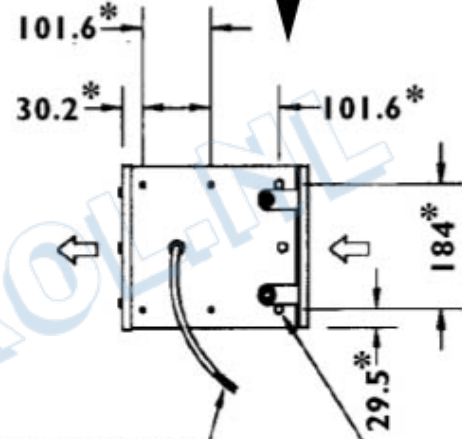
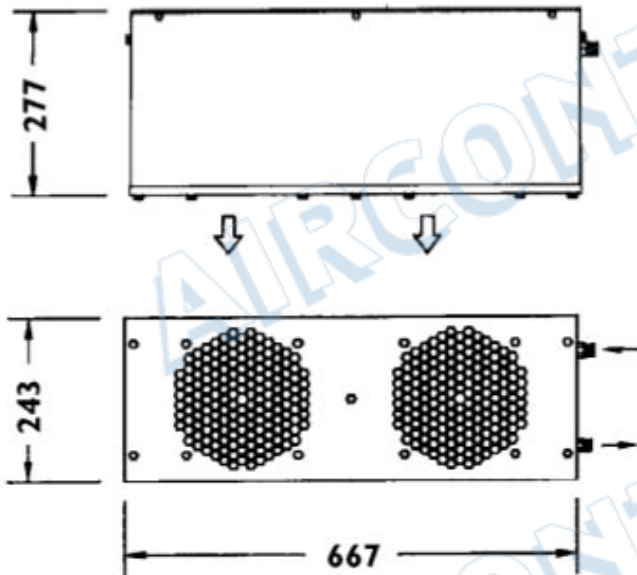


**Note:**

**\*-Dimensions for Mounting Holes**

**Inlet: 3/4"-16 UNF Male (#8 O-Ring)**  
**Outlet: 5/8"-18 UNF Male (#6 O-Ring)**  
**Coil is reversible for Left Hand Conn. (Right Hand shown)**



**El. Leads, Ext. 280±25**  
**Orange (+), Black (-)**

**M8 (6x/each side)**  
**Mounting Holes**

Technical data	Technische Eigenheiten
----------------	------------------------

* Cooling capacity of matching evaporator	* Kälteleistung entspr. Verdampfer	8,35	KW
* Working voltage	* Spannung	12V	Voltage
* Power consumption	* Stromverbrauch	14 A /12V	
* Air flow	* Gebläseleistung	1870	m3/h
* Total weight	* Gewicht	21,0	Kg

P/N: 150045

