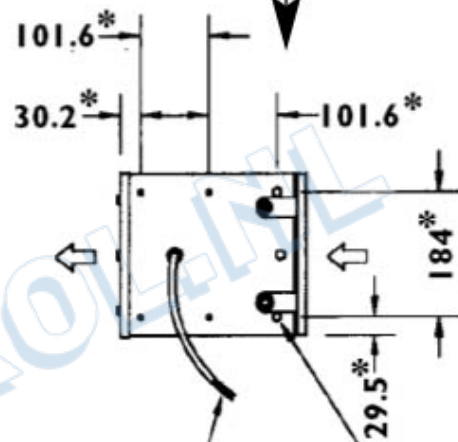
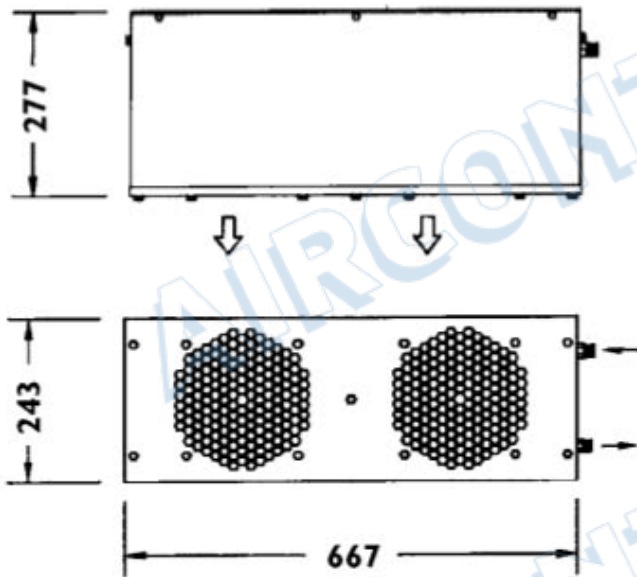


Note:

***-Dimensions for Mounting Holes**

Inlet: 3/4"-16 UNF Male (#8 O-Ring)
Outlet: 5/8"-18 UNF Male (#6 O-Ring)
Coil is reversible for Left Hand Conn. (Right Hand shown)



El. Leads, Ext. 280±25
Orange (+), Black (-)

M8 (6x/each side)
Mounting Holes

Technical data	Technische Eigenheiten
----------------	------------------------

* Cooling capacity of matching evaporator	* Kälteleistung entspr. Verdampfer	8,35	KW
* Working voltage	* Spannung	24V	Voltage
* Power consumption	* Stromverbrauch	7 A /24V	
* Air flow	* Gebläseleistung	1870	m3/h
* Total weight	* Gewicht	21,0	Kg

P/N: 150046

